



OUTER  
SPACES

# JAMISON CHILL & CHAT

Comfy swivel chairs  
accompany the new  
Jamison round table that  
keeps drinks cold with  
ease & convenience



3  
year

structural  
warranty

2  
year

mechanical  
warranty

1  
year

fabric  
warranty

**synargy**<sup>®</sup>  
Furniture that fits your life

scan QR code to view this product  
online at [www.synargy.com](http://www.synargy.com)





# JAMISON CHILL & CHAT

## COLOURS AVAILABLE

### STOCKED IN



**powder coated aluminium**  
(grey)

## KEY FEATURES & BENEFITS

**FRAME** Powder coated aluminium

The Jamison outdoor setting is made from powder coated aluminium for protection from the elements. The swivel frame allows for ease of getting in and out of the chairs

**SEATING** 5cm foam cushions with Olefin fabric covers

Comfortable and quick drying cushions deliver long lasting comfort suitable for outdoor dining in all seasons

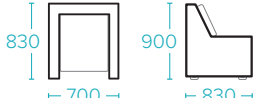
**TABLE** Powder coated aluminium frame with ceramic table top & refillable ice bucket center

1200mm circumference table provides plenty of space for dining or socialising around the refillable ice bucket center

## SALES COLLATERAL AVAILABLE

- POS PAGE
- SPECIFICATION / TRAINING SHEET

## MEASUREMENTS

<p><b>Swivel Armchair</b>    <b>700mm</b> width x <b>830mm</b> depth x <b>900mm</b> height</p>	
<p><b>Table</b>                    <b>1200mm</b> length x <b>1200mm</b> depth x <b>670mm</b> height</p>	